

Type: \_\_\_\_\_

Model: \_\_\_\_\_

Project: \_\_\_\_\_

**SPECIFICATION SHEET**

**MODEL: Cayman**

**SPECIFICATIONS**

**HOUSING:**

Cast brass faceplate with weathered brass finish. Composite body. Aluminum gimbal.

**SOCKET/LAMP HOLDER:**

One ceramic bi-pin socket with stainless steel retaining springs, on an adjustable gimbal.

**LENS:**

Clear flat tempered glass.

**LAMP TYPE:**

12V MR16. LED recommended. 35W maximum.

**MOUNTING:**

Installs in-grade.

**WIRING:**

Prewired with 5' pigtail of 18/2 cable.

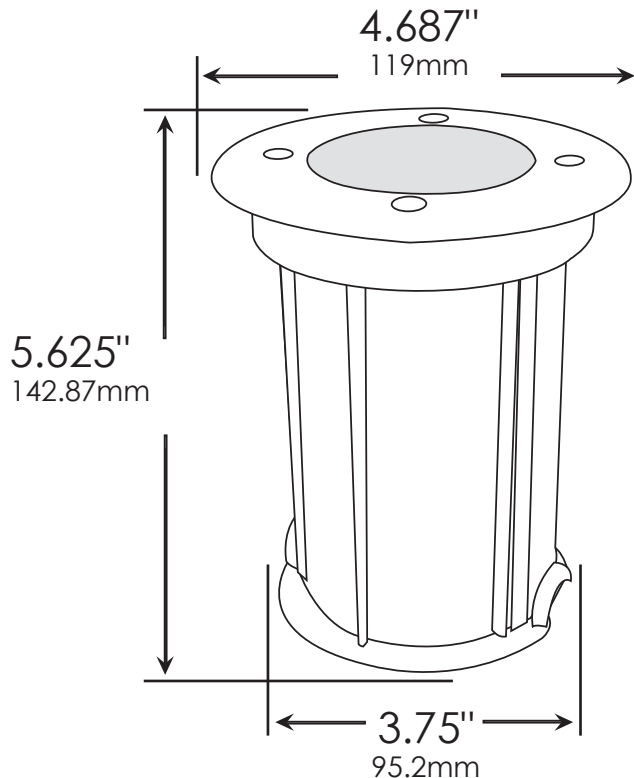
**WARRANTY:**

Lifetime.



The Cayman well light has an easily adjustable gimbal mechanism that allows precise aiming of the lamp for angled uplighting. Cast brass faceplate with a gasketed heavy-duty composite body. Perfect for spotlighting signs and statuary, as well as for dramatic effects of tree shadows projected against walls.

**DIMENSIONS:**



LED LAMP SPECIFICATIONS

**LAMP TYPE:**

12V MR16 UL-listed (E353116) lamp with 5-year warranty, dimmable, and suitable for enclosed luminaires.

**OPTICS:**

Integral optics providing available beam spreads from 15° to 100°.

**COLOR TEMPERATURES:**

Color temperature options provide the following qualities: 2700K=ultra-warm; 3000K=warm white; 4000K=neutral white; and 5000K=cool white. Decorative color light options include amber, blue, green, and red.



FITTURE	LAMP		
	WATTAGE	BEAM SPREAD	COLOR TEMP.
Cayman	2W	25° / 40° / 60° / 100°	2700K / 3000K
	4W	15° / 25° / 40° / 60° / 100°	2700K / 3000K
	5W	15° / 25° / 40° / 60° / 100°	2700K / 3000K
		25°	Amber / Blue / Green / Red
	6W	25° / 40° / 60°	2700K / 3000K
	7W	25° / 40°	2700K / 3000K / 4000K / 5000K
	7W	60°	2700K / 3000K